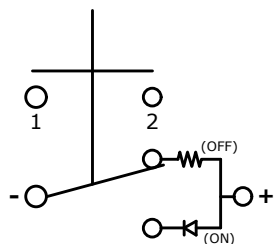
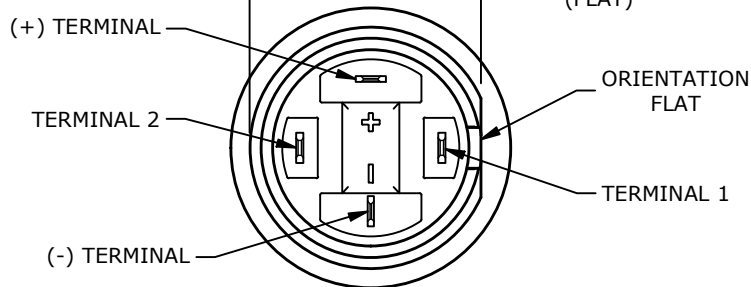
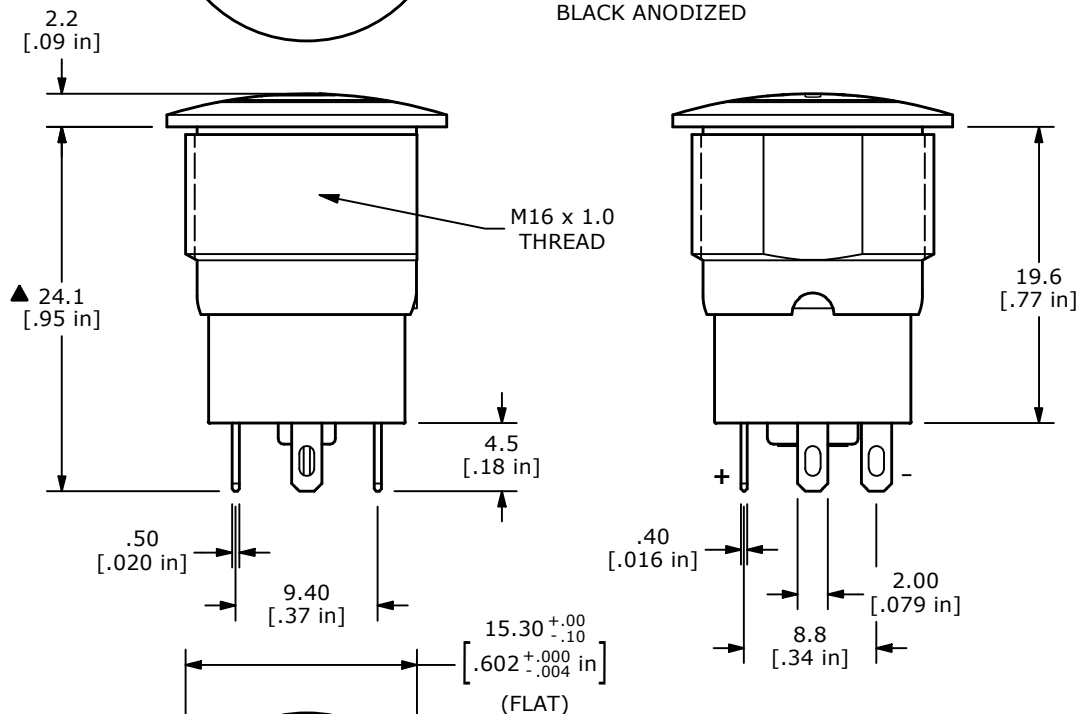
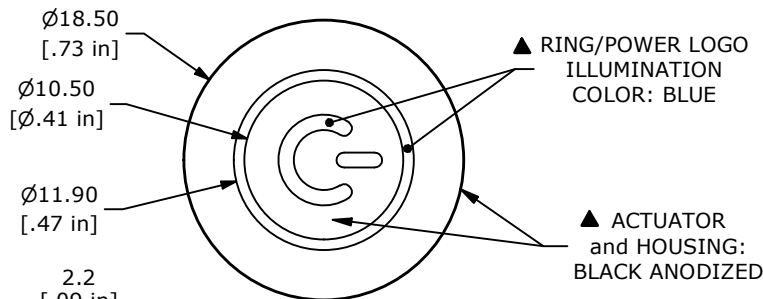


RECOMMENDED
PANEL CUT-OUT



▲ SCHEMATIC
SPST
(OFF - ON LATCHING)

- NOTE:
1. ALL DIMENSIONS IN MM [INCH]
 2. GENERAL TOLERANCE: X.X = ±0.4
X.XX = ±0.25
 3. TERMINAL NUMBERS FOR REF ONLY
 4. CONTACT MATERIAL: COIN SILVER, GOLD FLASH PLATED
 5. RATING: 2A 36VDC
 6. ELECTRIC LIFE: 100,000 CYCLES
 7. INSULATION RESISTANCE: 1,000MΩ MIN @ 500VDC.
 8. DIELECTRIC STRENGTH: 2,000VAC MIN. FOR 1 MINUTE
 9. CONTACT RESISTANCE: 50mΩ MAX. @ 1A 12VDC
 10. OPERATING TEMP.: -20°C to 70°C
 11. TRAVEL: 2.3 ±0.40 mm
 12. OPERATING FORCE: 460 ±150 GRAMS
 13. ▲ DENOTES CRITICAL PARAMETER.
 - ▲ 14. ILLUMINATION COLOR: BLUE (ON POSITION)
 - ▲ 15. ILLUMINATION VOLTAGE RATING: 2.8 - 3.7V @ 20mA
 - ▲ 16. HARDWARE SUPPLIED: O-RING and HEXNUT (NOT SHOWN)
 17. INGRESS PROTECTION: IP67



A	24336	New Release	6/5/20	MW
REV	PCR NO	DESCRIPTION	DATE	BY

TITLE PVA6LRP21141				
SCALE 2:1	DATE 6/5/2020	DR MW	DWG T960121	REV A

THE INFORMATION CONTAINED IN THIS DOCUMENT IS PROPRIETARY TO E-SWITCH AND IS NOT TO BE COPIED OR TRANSFERRED